

RATTAN CORNER DINING SET

25260 / 25261 / 25262

INSTRUCTION MANUAL

www.monstershop.co.uk

SPECIFICATION

PRODUCT DESCRIPTION

Thank you for purchasing this Rattan Corner Dining Set, the perfect garden accessory. This fashionable set provides an ample seating area, ideal for large gatherings and parties. It is also low maintenance and easily cleaned with a damp cloth.

With a free rain cover, the Rattan Corner Dining Set is protected from all inclement weather and climates, the set also contains UV stabilisers to protect it from the sun.

Please refer to and read the Safe Working Practice to ensure prevention of injury or damage to the device before starting.

PRODUCT SPECIFICS

TABLE DIMS.:	700 x 1200 x 660mm
L SHAPED SOFA DIMS.:	1800 x 2400 x 700mm
STOOL DIMS.:	400 x 400 x 330mm
SEAT CUSHION THICKNESS:	50mm
BACK CUSHION THICKNESS:	50mm

ITEM CONTENTS

19 x ø6 x 50mm Nut and Bolt	3 x Sofa Front Panel
24 x ø6 x 25mm Screws	3 x Sofa Seat Panel
52 x Washer	6 x Sofa Seat Cushion
24 x ø6 x 35mm Screws	6 x Sofa Back Cushion
1 x ø4 Allen Key	2 x Table Leg
1 x Spanner	1 x Glass Table Top
12 x Corner Feet	1 x Table Top Base
4 x C Clip	6 x Stool Legs
3 x Sofa Long Back Piece	6 x Stool Sides
1 x Sofa Short Back Piece	3 x Stool Tops
2 x Armrest	3 x Stool Cushions
2 x Sofa End Panel	1 x Rain Cover

SAFETY ADVICE

SAFE WORKING PRACTICE

Please read through the Safe Working Practice to ensure prevention of injury or damage to the device.

Do not use this product for anything other than its intended purposes.

Ensure you have read and fully understood the instruction manual and safety advice before using this product.

Do not apply bodyweight to this product before it is installed.

Keep small parts away from children.

Ensure this product is fitted correctly.

Use this product on a flat surface.

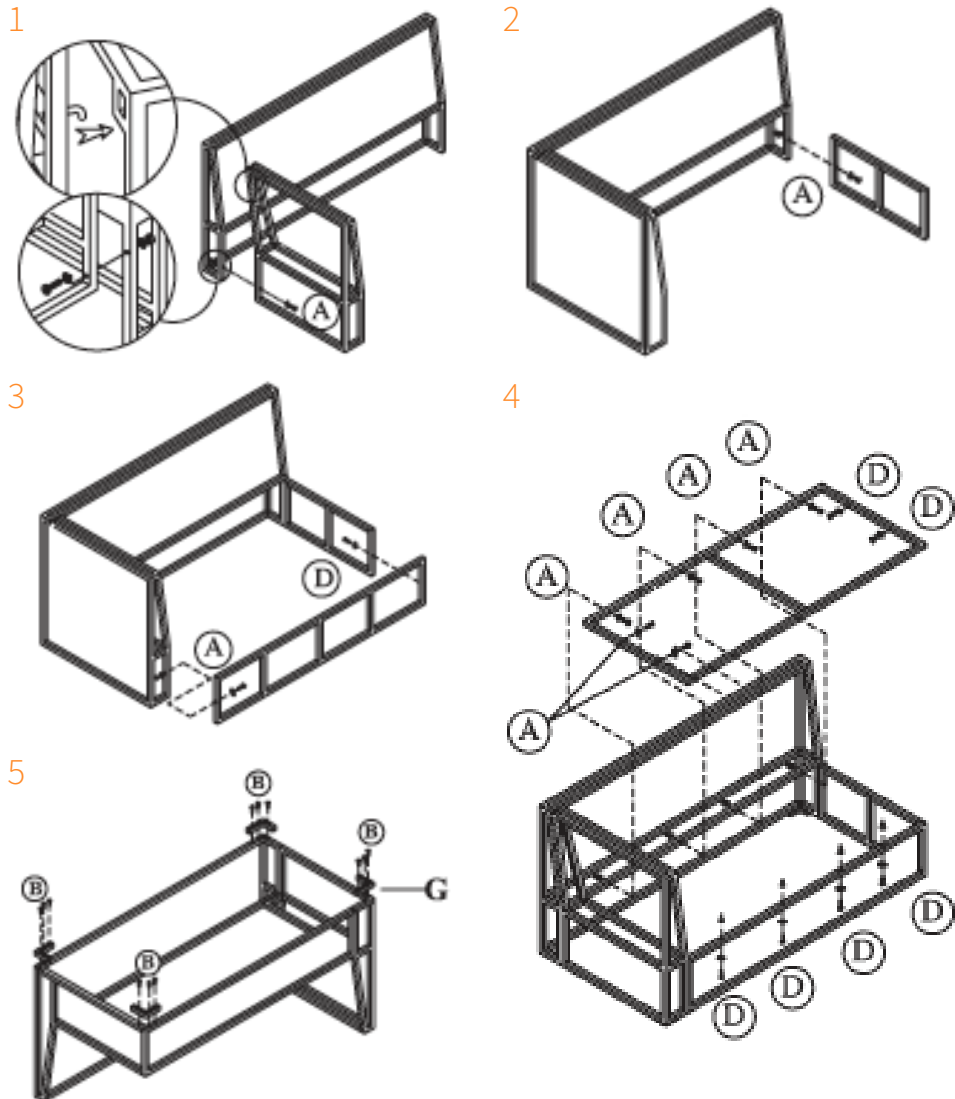
Do not expose this product to fire.

Do not allow this product to get excessively hot.

USER GUIDE

ASSEMBLY INSTRUCTIONS

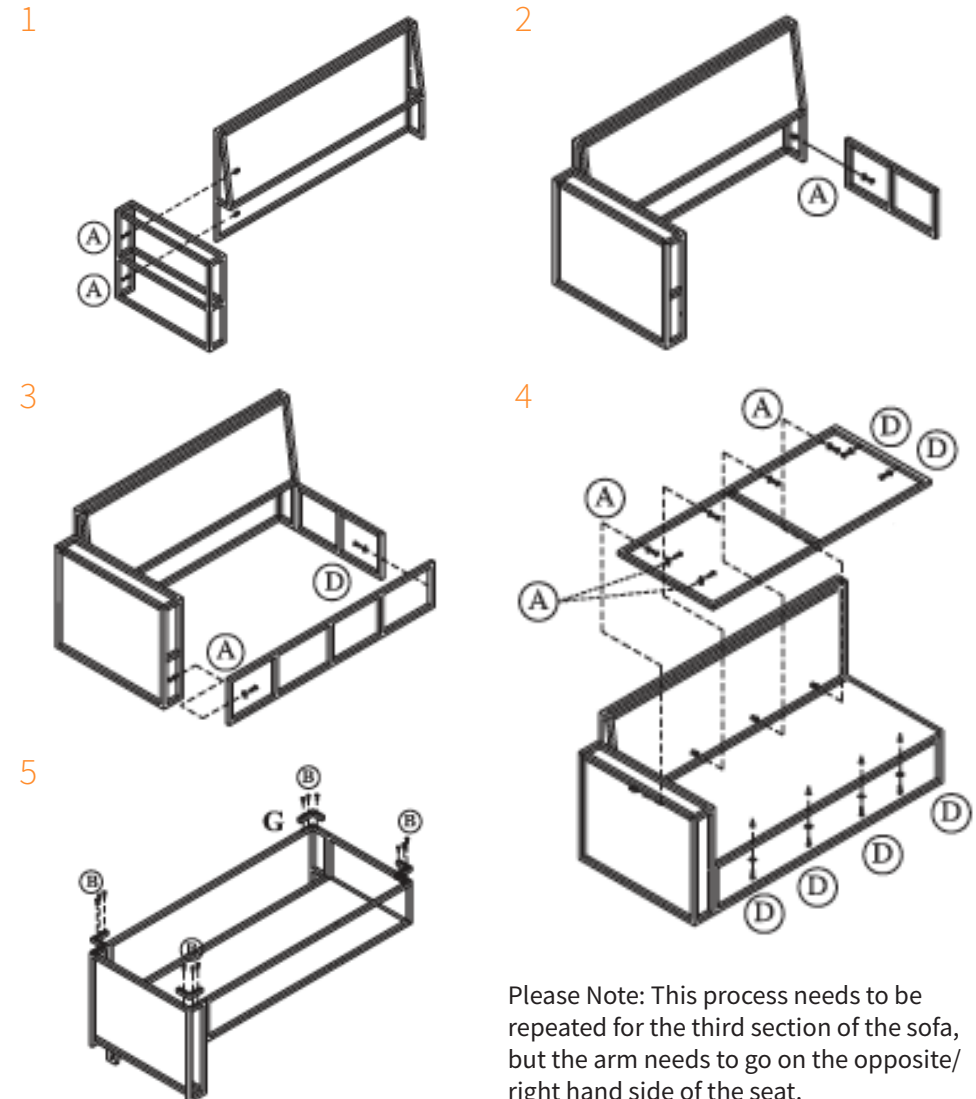
MIDDLE/CORNER SOFA ASSEMBLY



USER GUIDE

ASSEMBLY INSTRUCTIONS

END SOFA ASSEMBLY

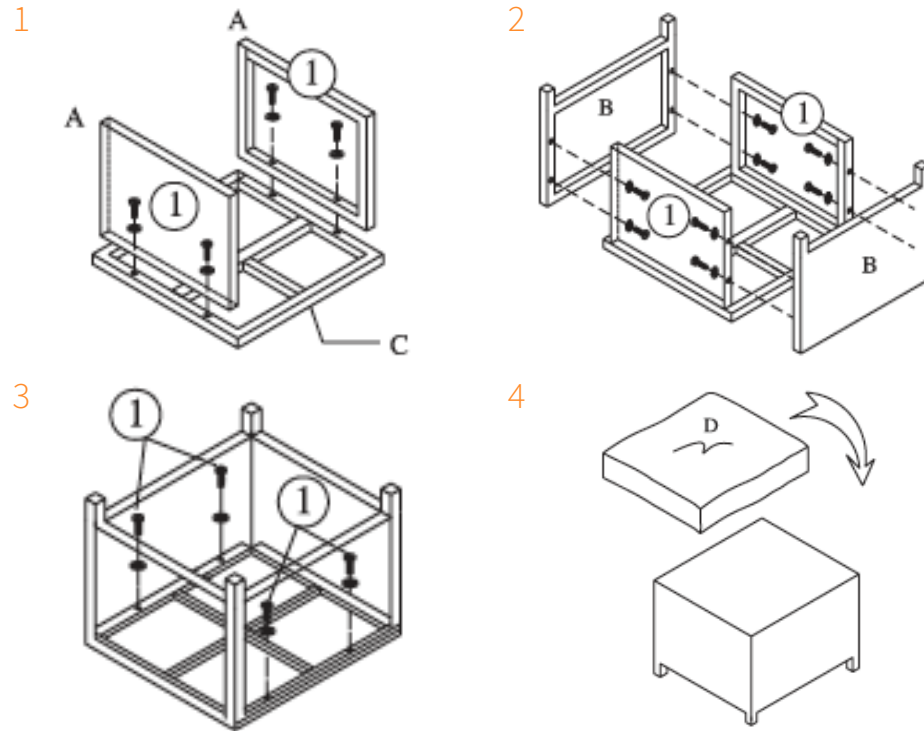


Please Note: This process needs to be repeated for the third section of the sofa, but the arm needs to go on the opposite/right hand side of the seat.

USER GUIDE

ASSEMBLY INSTRUCTIONS

STOOL ASSEMBLY

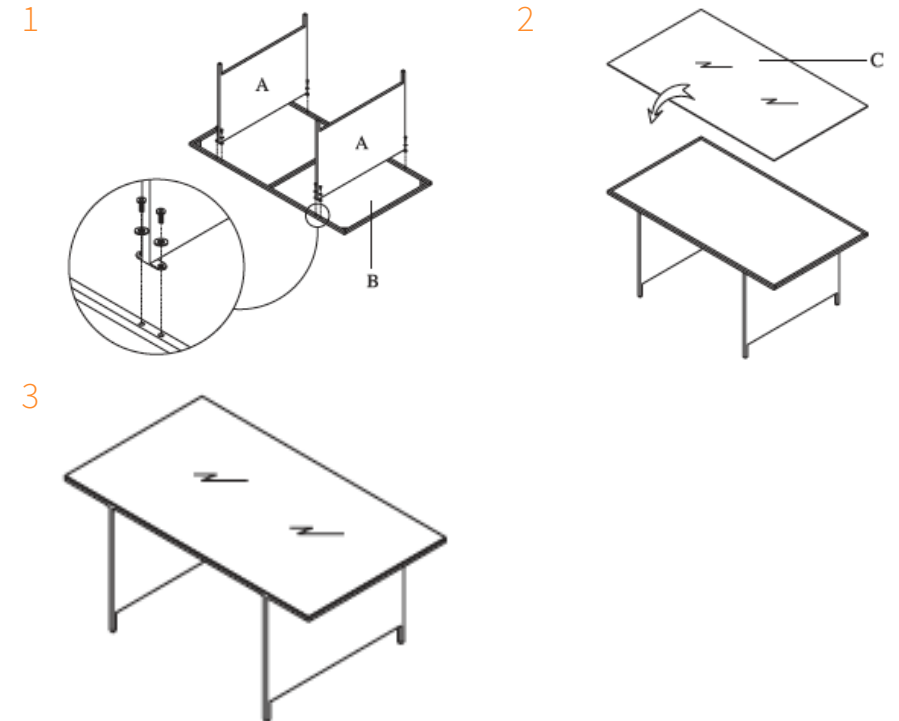


Please Note: This process needs to be repeated three times.

USER GUIDE

ASSEMBLY INSTRUCTIONS

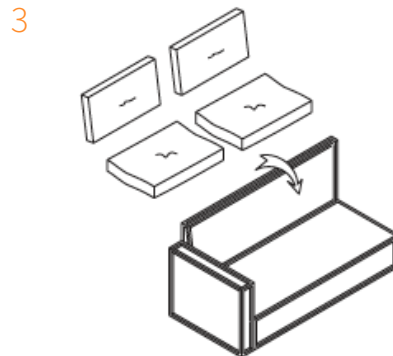
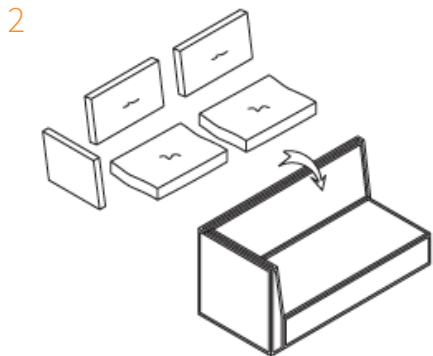
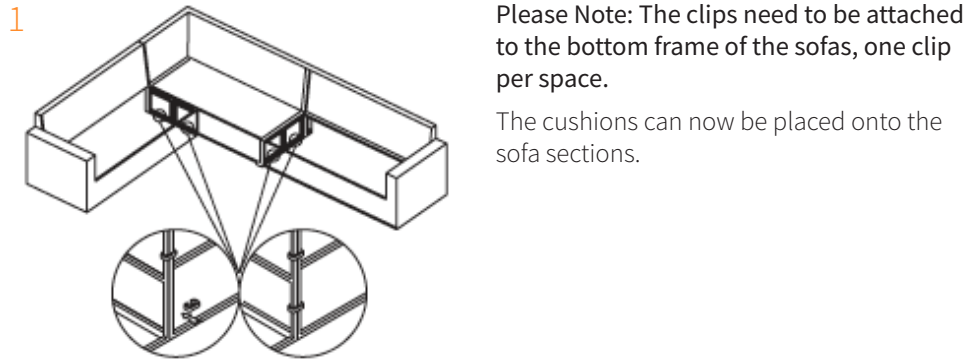
TABLE ASSEMBLY



USER GUIDE

ASSEMBLY INSTRUCTIONS

CONNECTING THE SOFA SECTIONS



MAINTENANCE

- Place the rain cover over the furniture when it is not in use to ensure the furniture and table does not get wet.
- Make sure the C-Clips secure the sofa sections together at all times.
- Check screws and bolts regularly to ensure the table top, stool and sofa components do not move.

TROUBLESHOOTING

RESOLUTION GUIDE

WHAT DO I DO IF THERE ARE MISSING PARTS FROM MY ORDER?

If there appears to be any part missing from your order, contact our friendly and helpful Customer Support Team within 7 days of receipt.

WHAT DO I DO IF THE FURNITURE STARTS TO WOBBLE/MOVE?

The screws and bolts need to be checked regularly to ensure they are tight and secure. Retighten any screws or bolts that are moving or loose.

WHAT DO I DO IF THE SOFA SECTIONS START TO SEPARATE?

The C-Clips need to be checked regularly to ensure they are tight and secure. Replace any C-Clips that are broken and reattach any that are loose.

FOR ALL OTHER ISSUES, PLEASE CONTACT OUR CUSTOMER SUPPORT TEAM.