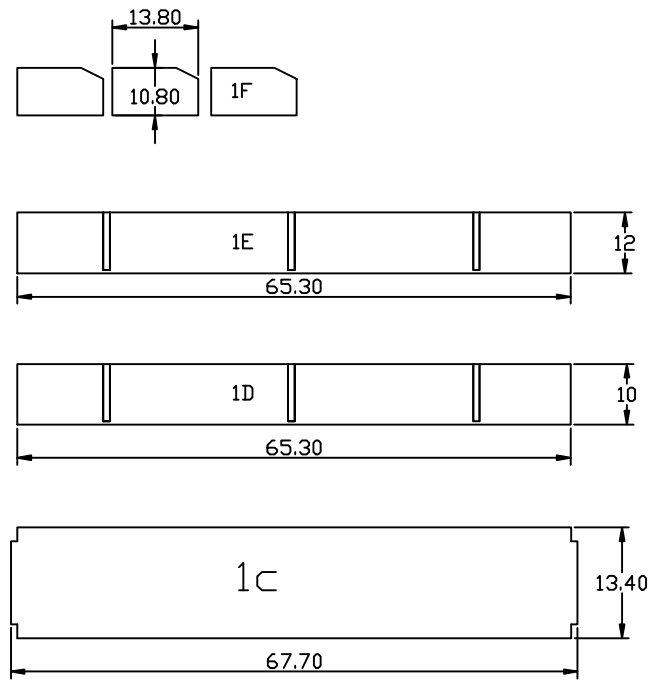
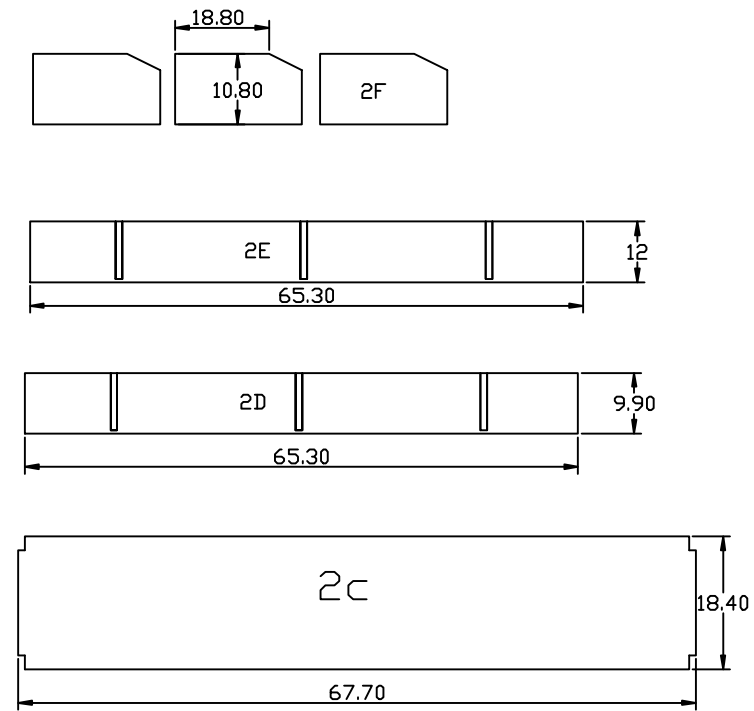


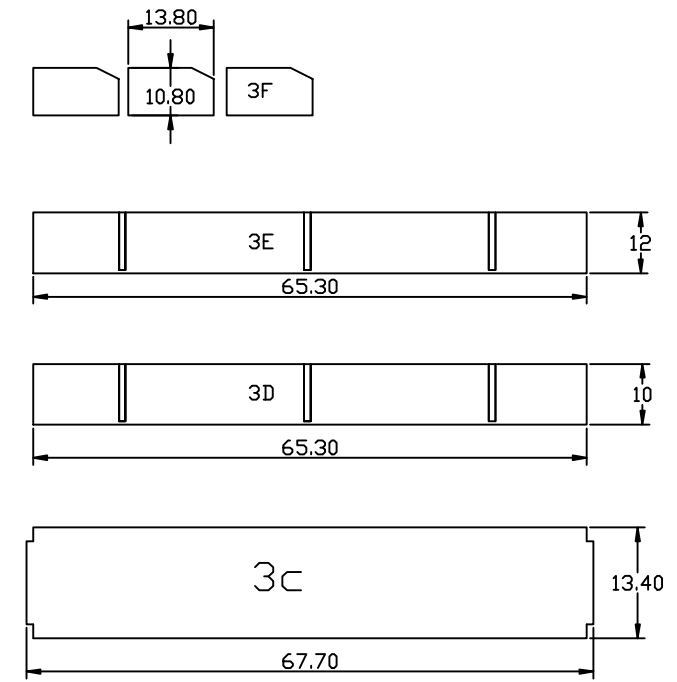
First Floor



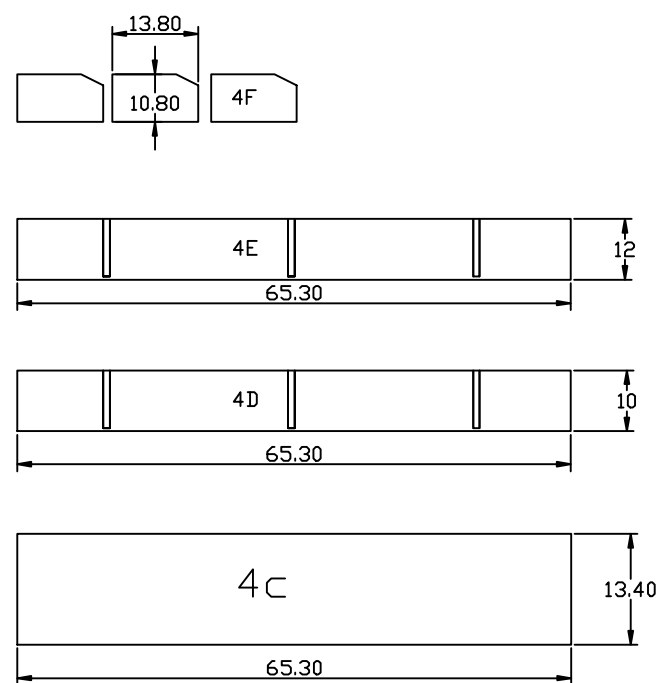
Second Floor



Third Floor



Fourth Floor



Support frame

