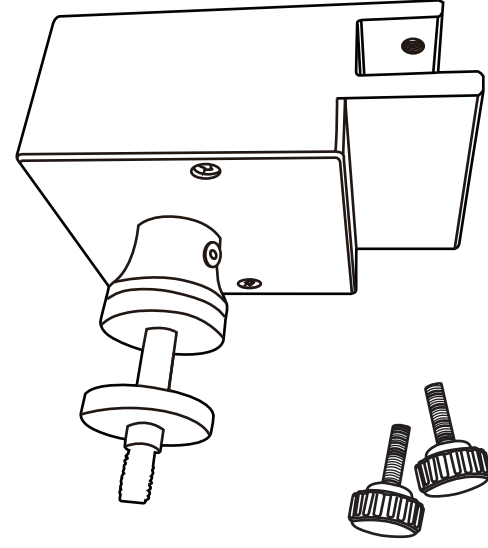


## VINYL CLEANING SPINNER User Manual



### — Specs

Item Name	: Vinyl Spinner
Input	: 100-240V 50/60Hz, Max 0.5A
Output	: 12V 2A
Compatible Vinyl	: 7in, 8in, 12in
Speed	: 10rvs
Max Load	: 5 vinyl
Material	: anodized aluminum
Slot Thickness	: 15mm
Package Content	: 1 x spinner, 6 x washer, 1 x power adapter

### — How to Setup?

- 1.Put the spinner to the edge of ACMESONIC ultrasonic cleaner 6L(or larger model).
- 2.Fix it with 2 screws.
- 3.Install vinyl to the pole, with white round pad protecting the inner label.
- 4.Fix the vinyl with bolts.
- 5.Connect the power adapter and press the button.
- 6.Keep clean and dry after use.

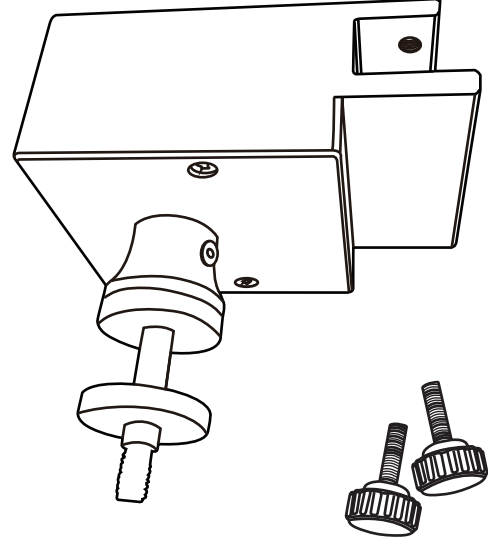
### — After-sale service

1 year warranty from the date of purchase.

### — Warranty Service

- 1.In order to protect your rights and interests,please keep the warranty card properly after you purchase this product. The warranty card is an important basis for the warranty
- 2.Please contact our service personnel to provide you with the best solution as soon as possible.
- 3.If the failure you have encountered falls within the non-free warranty or the product has exceeded the warranty period, you may choose to pay for the maintenance service, please contact our customer service personnel for details, we will provide appropriate maintenance service after checking.

## VINYL CLEANING SPINNER User Manual



### — Specs

Item Name	: Vinyl Spinner
Input	: 100-240V 50/60Hz, Max 0.5A
Output	: 12V 2A
Compatible Vinyl	: 7in, 8in, 12in
Speed	: 10rvs
Max Load	: 5 vinyl
Material	: anodized aluminum
Slot Thickness	: 15mm
Package Content	: 1 x spinner, 6 x washer, 1 x power adapter

### — How to Setup?

- 1.Put the spinner to the edge of ACMESONIC ultrasonic cleaner 6L(or larger model).
- 2.Fix it with 2 screws.
- 3.Install vinyl to the pole, with white round pad protecting the inner label.
- 4.Fix the vinyl with bolts.
- 5.Connect the power adapter and press the button.
- 6.Keep clean and dry after use.

### — After-sale service

1 year warranty from the date of purchase.

### — Warranty Service

- 1.In order to protect your rights and interests,please keep the warranty card properly after you purchase this product. The warranty card is an important basis for the warranty
- 2.Please contact our service personnel to provide you with the best solution as soon as possible.
- 3.If the failure you have encountered falls within the non-free warranty or the product has exceeded the warranty period, you may choose to pay for the maintenance service, please contact our customer service personnel for details, we will provide appropriate maintenance service after checking.