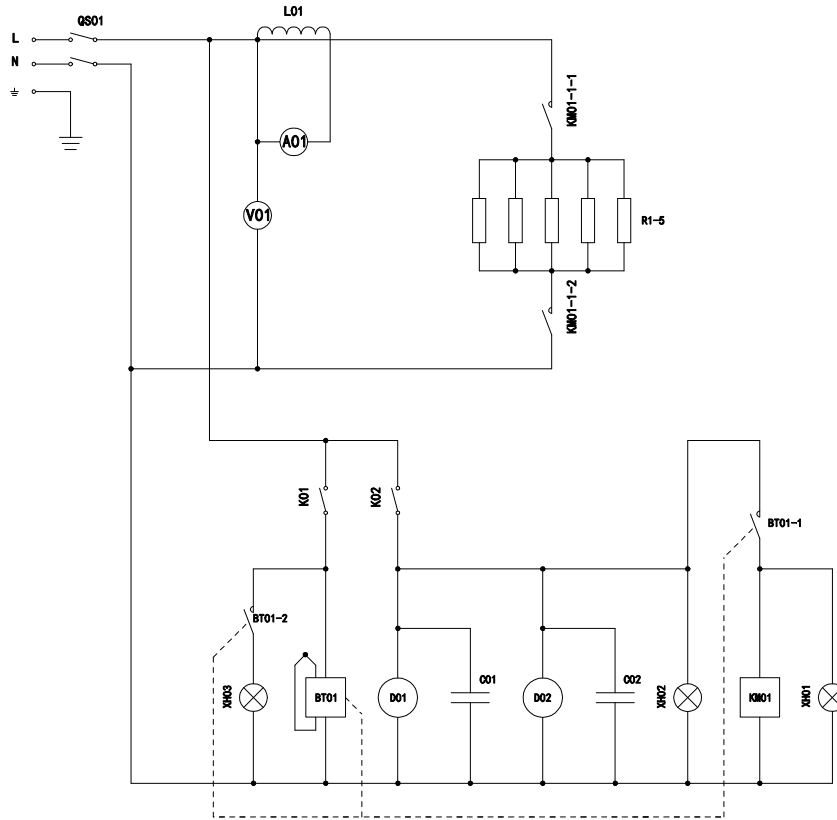


# WIRING DIAGRAM

## 7.2kW -WIRING DIAGRAM FOR OVEN



### PARTS DESCRIPTION

<b>QS01</b>	main power switch	<b>XH01</b>	heating indication
<b>L01</b>	CT	<b>XH02</b>	fan indication
<b>A01</b>	amperemeter	<b>XH03</b>	over temperature alarm
<b>V01</b>	voltmeter	<b>BT01</b>	temperature controller
<b>R01-05</b>	heating tube	<b>D01-02</b>	60w motor
<b>K01</b>	heating switch	<b>C01-02</b>	2U4 capacitor
<b>K02</b>	fan switch	<b>KM01</b>	heating relay